

## RELATED PRODUCTS

Model No.	Description
HDVE-CS	1U chassis for HDVE (~8 slots)

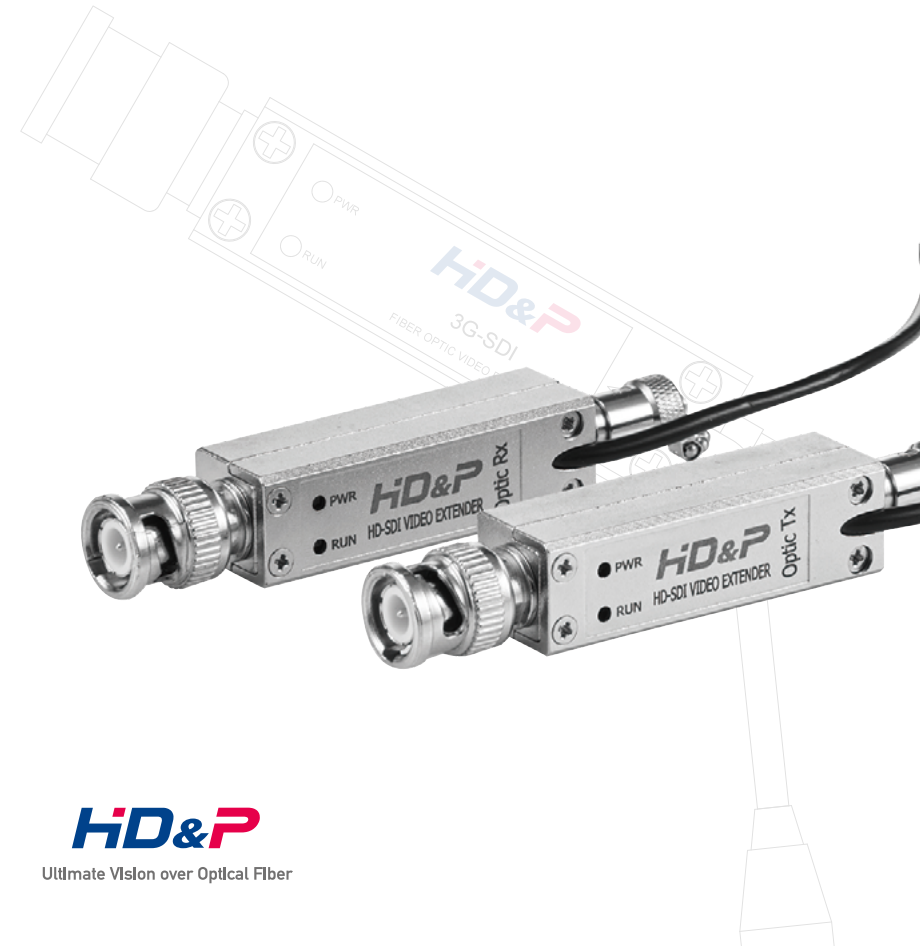


# HDVE

3G / HD-SDI Fiber Optic Video Extender

## WARRANTY

HD&P Inc. warrants that the product will be free from defects in materials and workmanship for a period of one (1) year from the date of shipment. This warranty shall not apply to any defect, failure, or damage caused by improper use or inadequate maintenance and care. Also, if it is determined that a returned products needed repairs are not due to a defect in material or workmanship, HD&P Inc. will notify the customer of repair or replacement costs and customer shall be responsible for all charges including return freight.



## CUSTOMER SERVICE

**Headquarter :** Gajeonbuk-ro 26-103, Yuseong-gu, Daejeon 34113, South Korea

**Email :** support@hdnpinc.com

**TEL :** +82-42-360-0170

**Fax :** +82-42-360-0177

**United States :** 5673 W Las Positas Blvd, California, 94568, USA

**Email :** sales@hdnpamerica.com

**TEL :** +1-925-695-7889

www.HDnPinc.com

HD&P Inc. reserve the right to change products and specifications without notice.



Ultimate Vision over Optical Fiber

## PRODUCT OVERVIEW

**HDVE** is a compact 3G/HD-SDI digital video optical transmission module. There are separated transmitter and receiver, which can send the SDI signal with minimal loss through the optical fiber connections.

### FEATURE

- Extends uncompressed 3G/HD-SDI video over fiber
- More than 10km transmission distance (single mode fiber)
- Compact size with mounting flanges for rack mountable

## PRODUCT CONTENTS

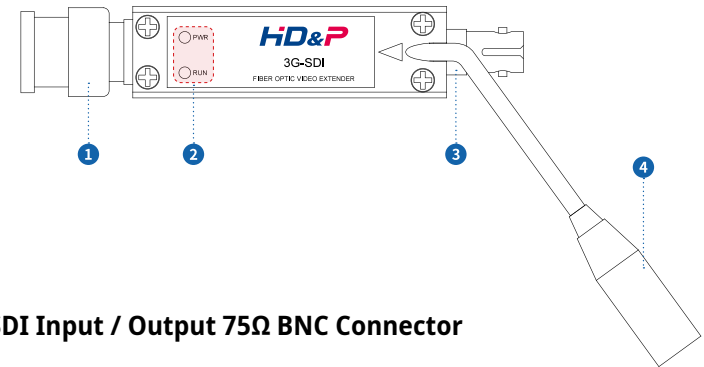
- HDVE Tx
- HDVE Rx
- 12V 2A adaptor 2EA
- Instruction Manual

## ORDERING INFORMATION

Model name	Option*	
	SDI	TRX
<b>HDVE</b>	3G : <b>3G</b> HD : <b>HD</b>	Tx : <b>T</b> Rx : <b>R</b>

Example. **HDVE-3G-T** : HDVE 3G-SDI Fiber Optic Video Extender Tx

## PANEL DESCRIPTION



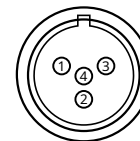
### 1 SDI Input / Output 75Ω BNC Connector

### 2 LED Indicators

	Power ON	Valid Signal connected
<b>Transmitter</b>		
<b>Receiver</b>		

### 3 Optical Connector (ST/PC type)

### 4 12V Power Input (Mini-XLR)



Video Extender	
PIN No.	Description
1	GND
2	SDA
3	VCC
4	SCL



DC Adaptor	
PIN No.	Description
1	GND
2	N.C.
3	VCC
4	N.C.