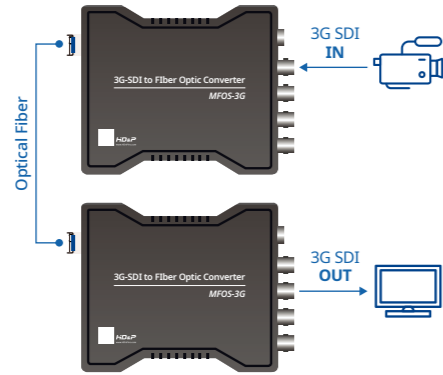


APPENDIX

S1



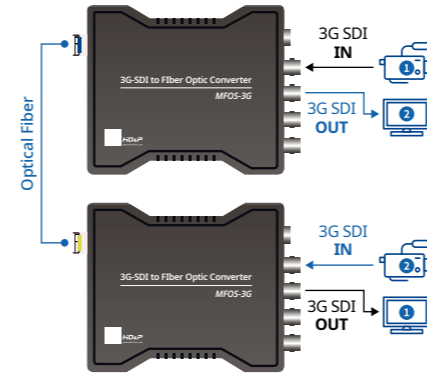
| SFP | Port#1 | Port#2 |
|-----|-----------|--------|
| TX | Single Tx | X |
| RX | Single Rx | X |



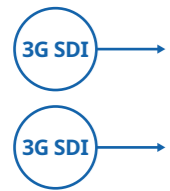
B1



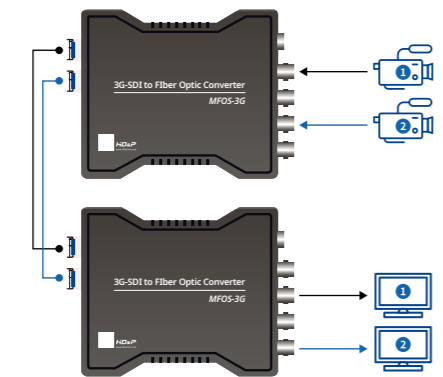
| SFP | Port#1 | Port#2 |
|-----|-----------|--------|
| TX | Bi-di SFP | X |
| RX | Bi-di SFP | X |



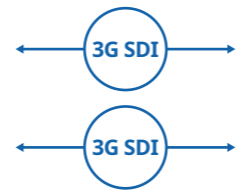
S2



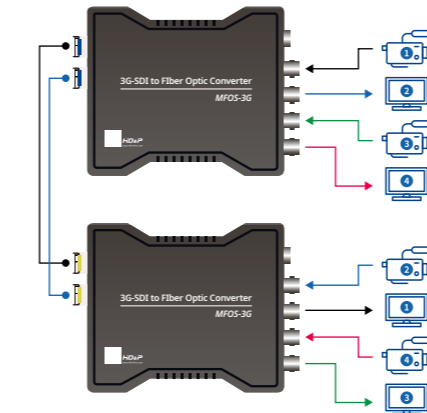
| SFP | Port#1 | Port#2 |
|-----|-----------|-----------|
| TX | Single Tx | Single Tx |
| RX | Single Rx | Single Rx |



B2



| SFP | Port#1 | Port#2 |
|-----|-----------|-----------|
| TX | Bi-di SFP | Bi-di SFP |
| RX | Bi-di SFP | Bi-di SFP |



MFOS-3G

3G SDI to Fiber Optic Converter



Ultimate Vision over Optical Fiber

PRODUCT OVERVIEW

MFOS-3G makes it possible to convert up to bi-directional 3G-SDI video signals over fiber. Through one bi-directional fiber, one video goes one way and the other goes the other down, which indicates two 3G-SDI's on each fiber (channel). As the model is part of a MFOS family, audio, data, and Ethernet converters can be mounted together in 19" 3RU rack and used in theme park, stadiums, live event stage and etc.

FEATURE

- Extends uncompressed up to SDI video over fiber
- Supports SDI video up to 3Gbit/s
- More than 20km transmission distance (single mode fiber)

PRODUCT CONTENTS

- MFOS-3G Tx with SFP
- MFOS-3G Rx with SFP
- 12V 2A adaptor 2EA
- Instruction Manual

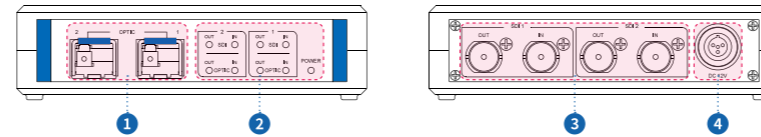
ORDERING INFORMATION

| Model name | Option* | | |
|----------------|--|--|--------------------------------|
| | Direction | SFP | TRX |
| MFOS 3G | Single direction : S Bi-direction : B | one port : 1 two port : 2 | Tx : T Rx : R |

Example. **MFOS 3G-B2-T** : MFOS 3G Bi-directional video 2 port SFP transmitter

* All options can be found in the appendix.

PANEL DESCRIPTION



1 SFP Module

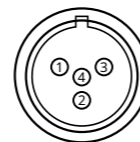
| Direction | Transmitter | Receiver |
|-------------------------|------------------------------------|------------------------------------|
| Bi-direction | 1310nm Tx / 1550nm Rx Bi-Di SFP | 1550nm Tx / 1310nm Rx Bi-Di SFP |
| Single direction | 1310nm Single Tx | 1310nm Single Rx |

2 LED Indicators

| Single direction | | Bi-direction | |
|------------------|----------|--------------|----------|
| Transmitter | Receiver | Transmitter | Receiver |
| | | | |

3 SDI Input / Output 75Ω BNC Connector

4 12V Power Input



| Video Extender | |
|----------------|-------------|
| PIN No. | Description |
| 1 | GND |
| 2 | SDA |
| 3 | VCC |
| 4 | SCL |



| DC Adaptor | |
|------------|-------------|
| PIN No. | Description |
| 1 | GND |
| 2 | N.C. |
| 3 | VCC |
| 4 | N.C. |

RELATED PRODUCTS

| Model No. | Description |
|-----------|--|
| MFOS-CS | 3U chassis for MFOS series (~12 slots) |



WARRANTY

HD&P Inc. warrants that the product will be free from defects in materials and workmanship for a period of one (1) year from the date of shipment. This warranty shall not apply to any defect, failure, or damage caused by improper use or inadequate maintenance and care. Also, if it is determined that a returned products needed repairs are not due to a defect in material or workmanship, HD&P Inc. will notify the customer of repair or replacement costs and customer shall be responsible for all charges including return freight.

CUSTOMER SERVICE

Headquarter : Gajeonbuk-ro 26-103, Yuseong-gu, Daejeon 34113, South Korea

Email : support@hdnpinc.com

TEL : +82-42-360-0170

Fax : +82-42-360-0177

United States : 5673 W Las Positas Blvd, California, 94568, USA

Email : sales@hdnpamerica.com

TEL : +1-925-695-7889

www.HDnPinc.com

HD&P Inc. reserve the right to change products and specifications without notice.