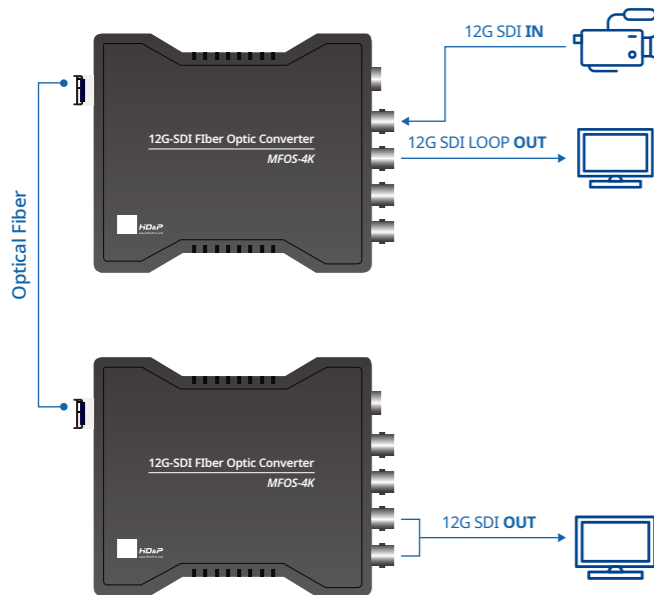


S1



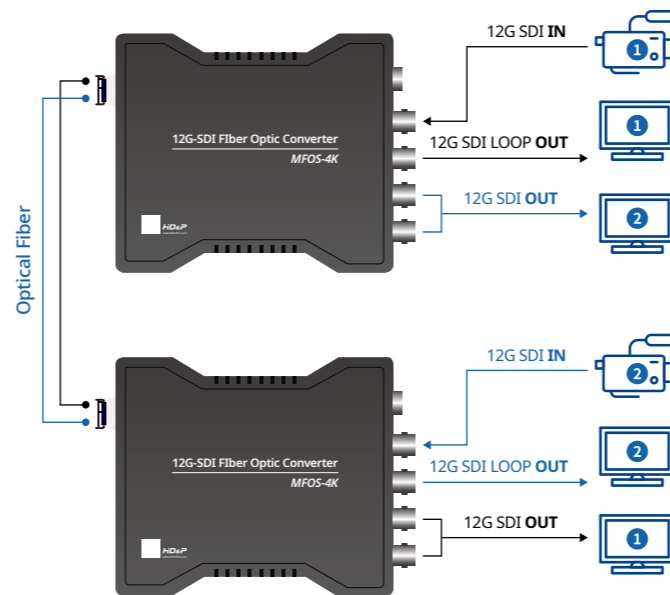
SFP	Port#1
<b>TX</b>	Tx SFP
<b>RX</b>	Rx SFP



B1



SFP	Port#1
<b>TX</b>	TRx SFP
<b>RX</b>	TRx SFP



# MFOS-4K

12G SDI to Fiber Optic Converter



**HD&P**

Ultimate Vision over Optical Fiber

## PRODUCT OVERVIEW

**MFOS-4K** is a converter transmits up to 12G-SDI signals to fiber optics. Input any signal, whether it is SDI, 3G-SDI or even 12G-SDI and feed two(2) outputs and one(1) loop-out to devices across your facility. With a SFP transceiver, two SDI's going in the both directions at the same time or even different video standards going in each direction. The MFOS-4K connections are multi-rate, which makes it compatible with all SD, HD and Ultra HD formats and equipment up to 2160p60.

### FEATURE

- Extends uncompressed 12G-SDI video over fiber
- Supports SMPTE 259 / 292 / 297 / 424 / 2081 / 2082
- More than 10km transmission distance (single mode fiber)
- 1 SDI loop out, Dual SDI output
- Compact size with mounting flanges for rack mountable

## PRODUCT CONTENTS

- MFOS-4K Tx with SFP
- MFOS-4K Rx with SFP
- 12V 2A adaptor 2EA
- Instruction Manual

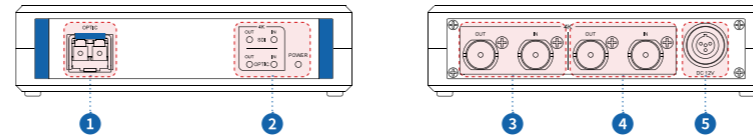
## ORDERING INFORMATION

Model name	Option*		
	Direction	SFP	TRX
<b>MFOS 4K</b>	Single direction : <b>S</b> Bi-direction : <b>B</b>	one port : <b>1</b>	Tx : <b>T</b> Rx : <b>R</b>

Example. **MFOS 4K-B1-T** : MFOS 4K Bi-directional video 1 port SFP transmitter

\* All options can be found in the appendix.

## PANEL DESCRIPTION



### 1 SFP Module

Direction	Transmitter	Receiver
<b>Bi-direction</b>	1310nm TRx SFP	1310nm TRx SFP
<b>Single direction</b>	1310nm Single Tx	1310nm Single Rx

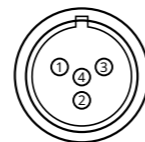
### 2 LED Indicators

Single direction		Bi-direction	
Transmitter	Receiver	Transmitter	Receiver

### 3 SDI Output 75Ω BNC Connector

### 4 SDI Input and Loop-out 75Ω BNC Connector

### 5 12V Power Input



Video Extender	
PIN No.	Description
<b>1</b>	GND
<b>2</b>	SDA
<b>3</b>	VCC
<b>4</b>	SCL



DC Adaptor	
PIN No.	Description
<b>1</b>	GND
<b>2</b>	N.C.
<b>3</b>	VCC
<b>4</b>	N.C.

## RELATED PRODUCTS

Model No.	Description
MFOS-CS	3U chassis for MFOS series (~12 slots)



## WARRANTY

HD&P Inc. warrants that the product will be free from defects in materials and workmanship for a period of one (1) year from the date of shipment. This warranty shall not apply to any defect, failure, or damage caused by improper use or inadequate maintenance and care. Also, if it is determined that a returned products needed repairs are not due to a defect in material or workmanship, HD&P Inc. will notify the customer of repair or replacement costs and customer shall be responsible for all charges including return freight.

### CUSTOMER SERVICE

**Headquarter** : Gajeonbuk-ro 26-103, Yuseong-gu, Daejeon 34113, South Korea

**Email** : support@hdnpinc.com

**TEL** : +82-42-360-0170

**Fax** : +82-42-360-0177

**United States** : 5673 W Las Positas Blvd, California, 94568, USA

**Email** : sales@hdnpamerica.com

**TEL** : +1-925-695-7889

www.HDnPinC.com

HD&P Inc. reserve the right to change products and specifications without notice.