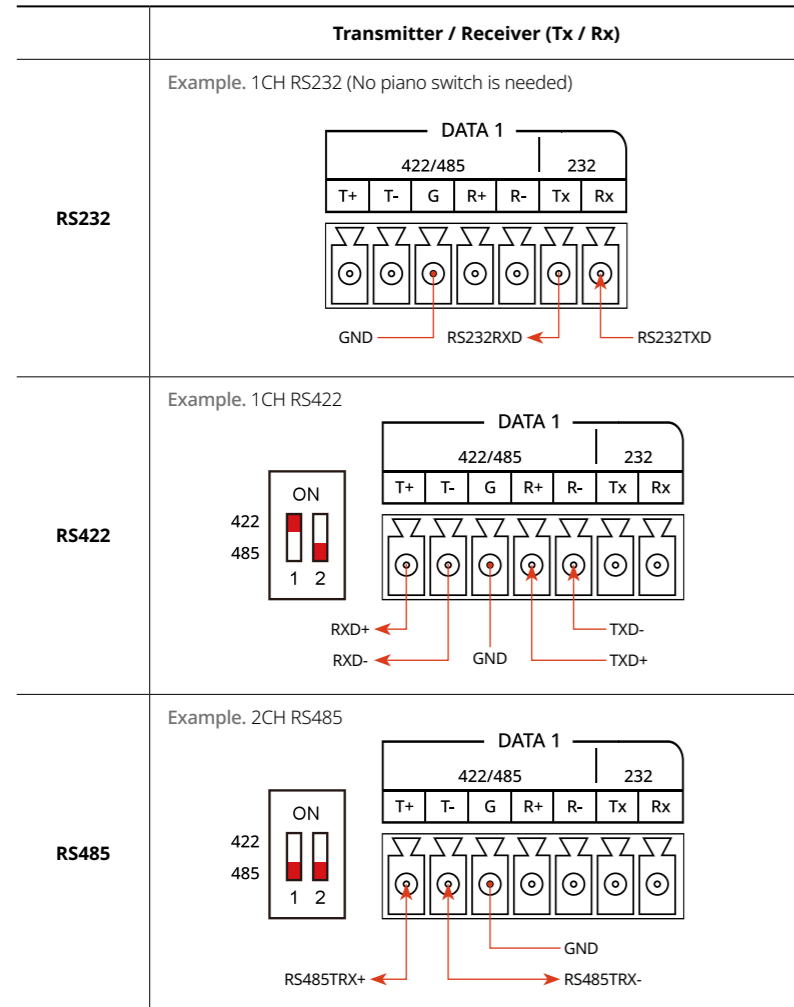


## APPENDIX I

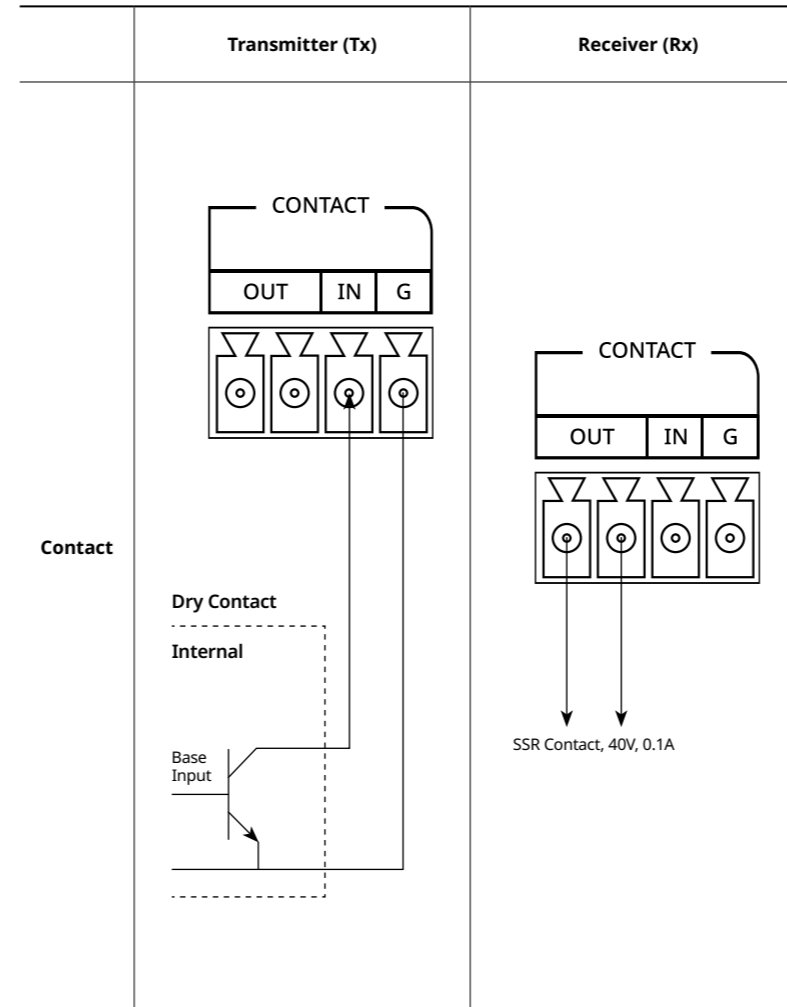
### Equipment Device Signal (Data)



\* To select RS422 or RS485, switch has to be upward or downward, respectively for each channel

## APPENDIX II

### Equipment Device Signal (Contact)



# MFOS-DT

## Data to Fiber Optic Converter



**HD&P**

Ultimate Vision over Optical Fiber

## PRODUCT OVERVIEW

**MFOS-DT** is a model, which transmits to fiber optical signal from 2 channel serial data(RS422/485 and RS232) and 1 channel contact closure. The model secures data transmission over EMI resistant fiber in EMI prone environments that can cause corruption of data like industrial plants, warehouse and factory floors. MFOS-DT is typically used in application with PTZ control, access control system, CCTV surveillance, industrial control system and etc.

### FEATURE

- 2 channel serial data and 1 channel dry contact closure communication
- Supports RS232, 422, 485 serial data communication
- Operation status indication LED

## PRODUCT CONTENTS

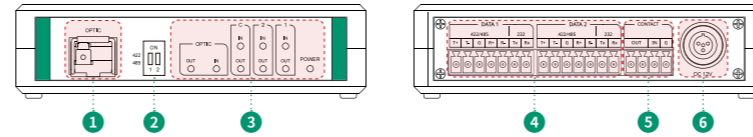
- MFOS-DT Tx with SFP
- MFOS-DT Rx with SFP
- 12V 2A adaptor 2EA
- Instruction Manual

## ORDERING INFORMATION

Model name	Option		
	Direction	SFP	TRX
<b>MFOS DT</b>	Bi-direction : <b>B</b>	one port : <b>1</b>	Tx : <b>T</b> Rx : <b>R</b>

Example. MFOS DT-B1-T : MFOS DT Bi-directional data 1 port SFP transmitter

## PANEL DESCRIPTION



### 1 SFP Module : 1310/1550nm Bi-Di SFP

Direction	Transmitter	Receiver
<b>Bi-directional</b>	1310nm Tx / 1550nm Rx Bi-Di SFP	1550nm Tx / 1310nm Rx Bi-Di SFP

### 2 Serial data selection switch

### 3 LED Indicators

Power : On	Power/Optic Connected
Data : Normal	Contact : Normal

\* When a device is connected without proper data signals in, LED's will be off

### 4 RS422/485/232 Serial Data 1&2 Input/Output terminal

### 5 Contact signal input/output terminal

### 6 12V Power Input

PIN No.	MFOS-DT		PIN No.	DC Adaptor	
	Description			Description	
1	GND		1	GND	
2	N.C.		2	N.C.	
3	VCC		3	VCC	
4	N.C.		4	N.C.	

## RELATED PRODUCTS

Model No.	Description
MFOS-CS	3U chassis for MFOS series (~12 slots)



## WARRANTY

HD&P Inc. warrants that the product will be free from defects in materials and workmanship for a period of one (1) year from the date of shipment. This warranty shall not apply to any defect, failure, or damage caused by improper use or inadequate maintenance and care. Also, if it is determined that a returned products' needed repairs are not due to a defect in material or workmanship, HD&P Inc. will notify the customer of repair or replacement costs and customer shall be responsible for all charges including return freight.

### CUSTOMER SERVICE

**Headquarter** : Gajeongbuk-ro 26-103, Yuseong-gu, Daejeon 34113, South Korea

**Email** : support@hdnpinc.com

**TEL** : +82-42-360-0170

**Fax** : +82-42-360-0177

**United States** : 5673 W Las Positas Blvd, California, 94568, USA

**Email** : sales@hdnpamerica.com

**TEL** : +1-925-695-7889

www.HDnPin.com

HD&P Inc. reserve the right to change products and specifications without notice.