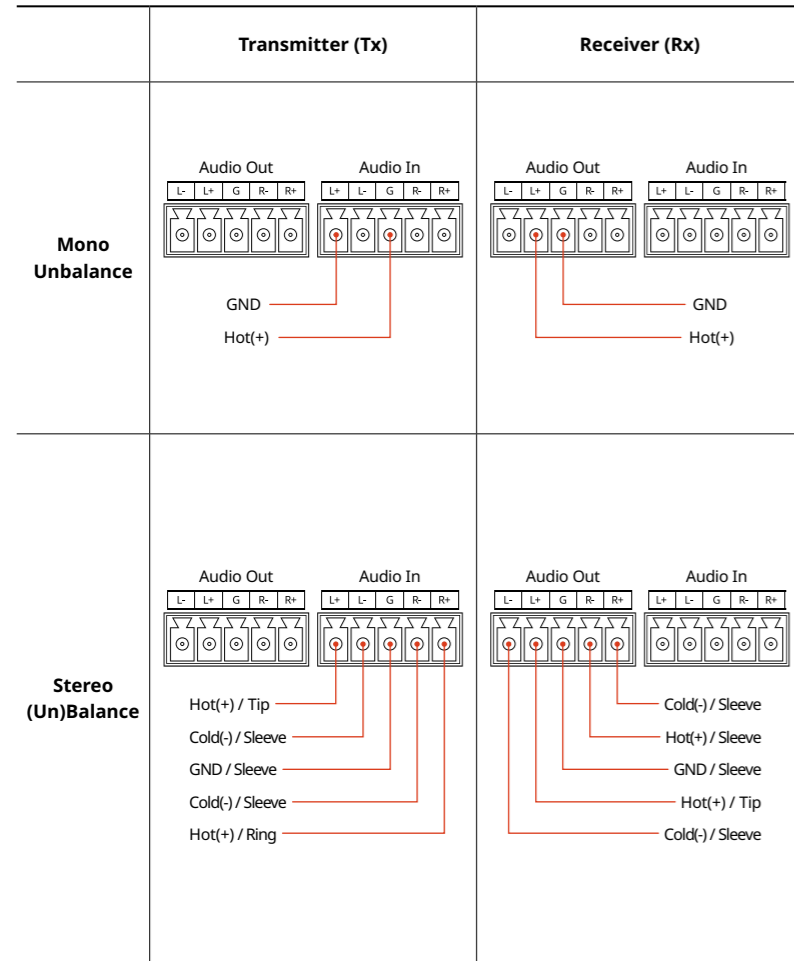
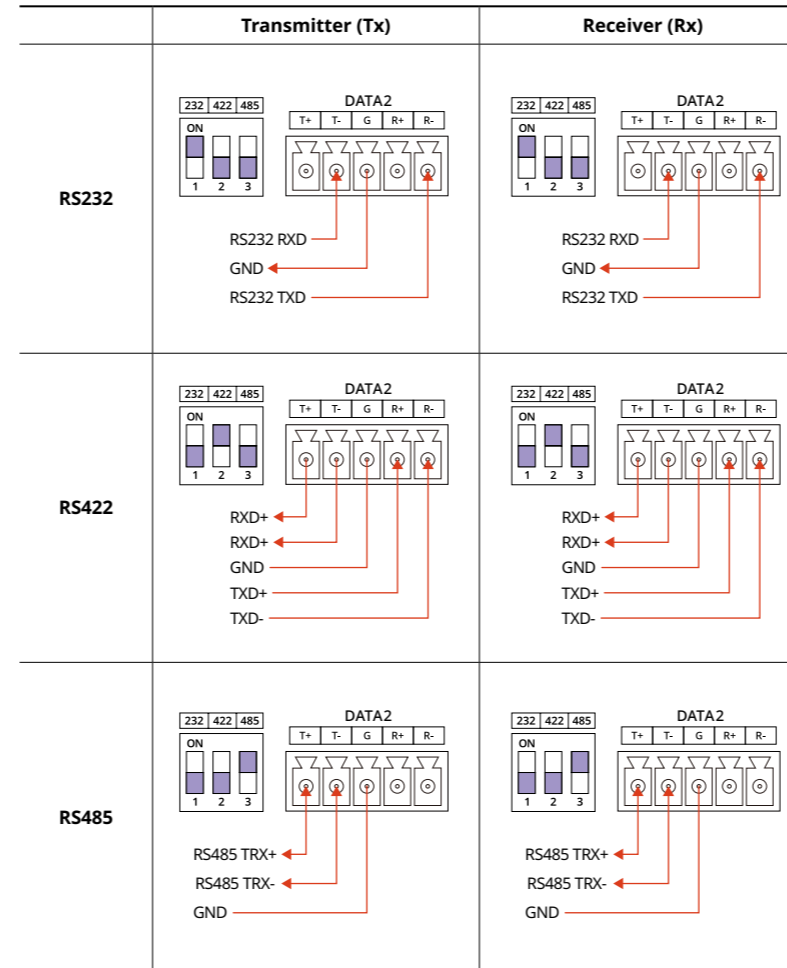


APPENDIX I (AUDIO)



APPENDIX II (DATA)



* Data 1 : RS422 / 485 (Default / Auto detection)

* Data 2 : RS422 / 485 / 232 with DIP switch

HDFU

3G / HD-SDI Video + Data + Audio Fiber Optic Converter



PRODUCT OVERVIEW

HDFU transmits to fiber optical signal from 3G/HD-SDI video, data and audio signal. With LED indicators on the model, it gives an easy system status monitoring. HDFU is available for either stand-alone or rack-mount type, which enables the user to select a variety of applications depending on the working environment.

FEATURE

- Extends 1-channel uncompressed 3G/HD-SDI video over fiber
- Supports RS232, 422, 485 serial data communication
- Bi-directional balanced stereo audio
- More than 20km transmission distance (single mode fiber)

PRODUCT CONTENTS

- HDFU-Tx
- 12V 2A adaptor 2EA
- Instruction Manual
- HDFU-Rx
- Bracket 2EA

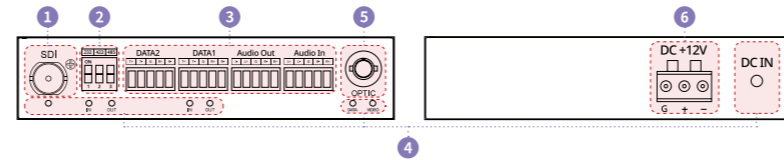
ORDERING INFORMATION

Model name	Option	
	Tx	Rx
HDFU	T	R

Example. HDFU-T : HDFU transmitter 3G-SDI 1 video, 2 data & 1 audio

PANEL DESCRIPTION

[FRONT]



1 SDI Input/Output 75Ω BNC Connector

2 DIP switch (RS232 / RS422 / RS485)

RS232	RS422	RS485

* DIP switch is only necessary for Data 2.

3 Data and Audio signal Input/Output terminal

4 LED Indicators

Power : On 	SDI : Normal
Optic : Normal 	Data : Normal

5 Optical signal Input/Output ST/PC connector



6 12V Power Input

RELATED PRODUCTS

Model	Photo	Description
HDFU-C		3G/HD-SDI Video + Control Data + Analog Audio Single mode, ST/PC connector
MRS1-CS		1U chassis for HDFU and HD4V (~4 slots)
MRS4-CS		4U chassis for HDFU and HD4V (~16 slots)

WARRANTY

HD&P Inc. warrants that the product will be free from defects in materials and workmanship for a period of one (1) year from the date of shipment. This warranty shall not apply to any defect, failure, or damage caused by improper use or inadequate maintenance and care. Also, if it is determined that returned products' repairs are not due to a defect in material or workmanship, HD&P Inc. will notify the customer of repair or replacement costs and customer shall be responsible for all charges including return freight.

CUSTOMER SERVICE

Headquarter : Gajeongbuk-ro 26-103, Yuseong-gu, Daejeon 34113, South Korea

Email : support@hdnpinc.com

TEL : +82-42-360-0170 **Fax** : +82-42-360-0177

United States : 5673 W Las Positas Blvd, California, 94568, USA

Email : sales@hdnpamerica.com

TEL : +1-925-695-7889

www.HDnPinc.com

HD&P Inc. reserve the right to change products and specifications without notice.