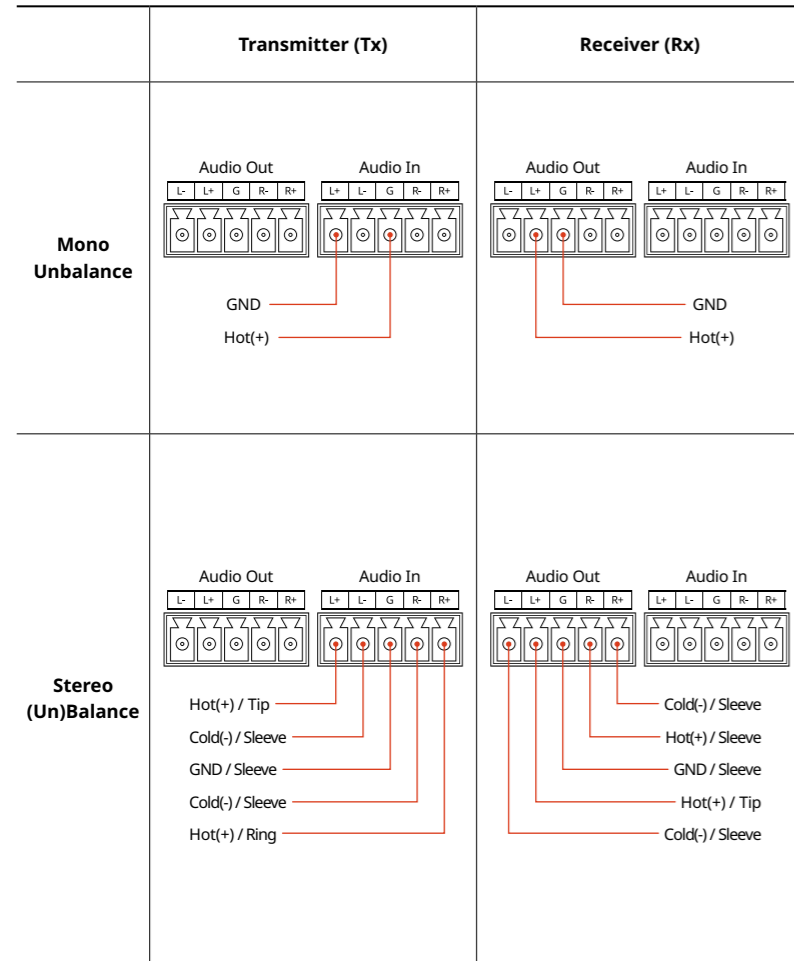
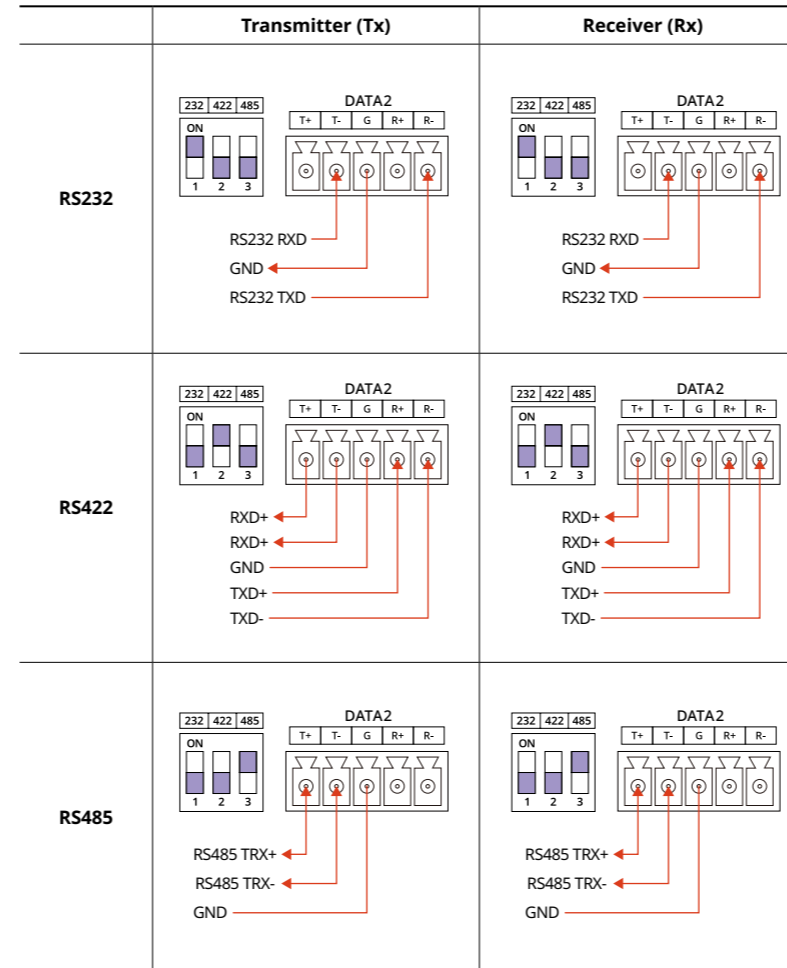


## APPENDIX I (AUDIO)



## APPENDIX II (DATA)



\* Data 1 : RS422 / 485 (Default / Auto detection)

\* Data 2 : RS422 / 485 / 232 with DIP switch

# HDMD

3G / HD-SDI 4CH Video + Data + Audio Fiber Optic Converter



**HD&P**

Ultimate Vision over Optical Fiber

## PRODUCT OVERVIEW

**HDMD** is a model that combines HD4V and HDFU. The model transmits to fiber optical signal from 3G/HD-SDI video, data and audio signal. With LED indicators on the model, it gives an easy system status monitoring. As the device is available for either stand-alone or rack-mount installation, it enables the user to install depending on the working environment.

### FEATURE

- Extends 4-channel uncompressed 3G/HD-SDI video over fiber
- Supports RS232, 422, 485 serial data communication
- Bi-directional balanced stereo audio
- More than 20km transmission distance (single mode fiber)

## PRODUCT CONTENTS

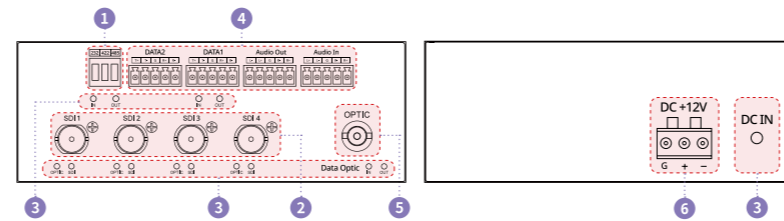
- HDMD Tx
- HDMD Rx
- 12V 2A adaptor 2EA
- Bracket 2EA
- Instruction Manual

## ORDERING INFORMATION

Model name	Option	
	Tx	Rx
<b>HDMD</b>	T	R

Example. HDMD-T : HDMD transmitter 3G-SDI 4 videos, 2 data & 1 audio

## PANEL DESCRIPTION



### 1 Data2 DIP switch (RS232 / RS422 / RS485)

RS232	RS422	RS485

\* DIP switch is only necessary for Data 2

### 2 SDI Input/Output 75Ω BNC Connector

### 3 LED Indicators

<b>Power : On</b> 	<b>Data : Normal</b> 
<b>Optic/SDI : Normal</b> 	<b>Data Optic : Normal</b> 

### 4 Data and Audio signal Input/Output terminal

### 5 Optical signal Input/Output ST/PC connector



### 6 12V Power Input

## RELATED PRODUCTS

Model	Photo	Description
HDMD-C		3G/HD-SDI Video + Control Data + Analog Audio Single mode, ST/PC connector
MRS4-CS		4U chassis for HDFU, HD4V and HDMD (~8 slots)

## WARRANTY

HD&P Inc. warrants that the product will be free from defects in materials and workmanship for a period of one (1) year from the date of shipment. This warranty shall not apply to any defect, failure, or damage caused by improper use or inadequate maintenance and care. Also, if it is determined that returned products' repairs are not due to a defect in material or workmanship, HD&P Inc. will notify the customer of repair or replacement costs and customer shall be responsible for all charges including return freight.

### CUSTOMER SERVICE

**Headquarter** : Gajeongbuk-ro 26-103, Yuseong-gu, Daejeon 34113, South Korea

**Email** : support@hdpinc.com

**TEL** : +82-42-360-0170 **Fax** : +82-42-360-0177

**United States** : 5673 W Las Positas Blvd, California, 94568, USA

**Email** : sales@hdpamerica.com

**TEL** : +1-925-695-7889

www.HDnPin.com

HD&P Inc. reserve the right to change products and specifications without notice.